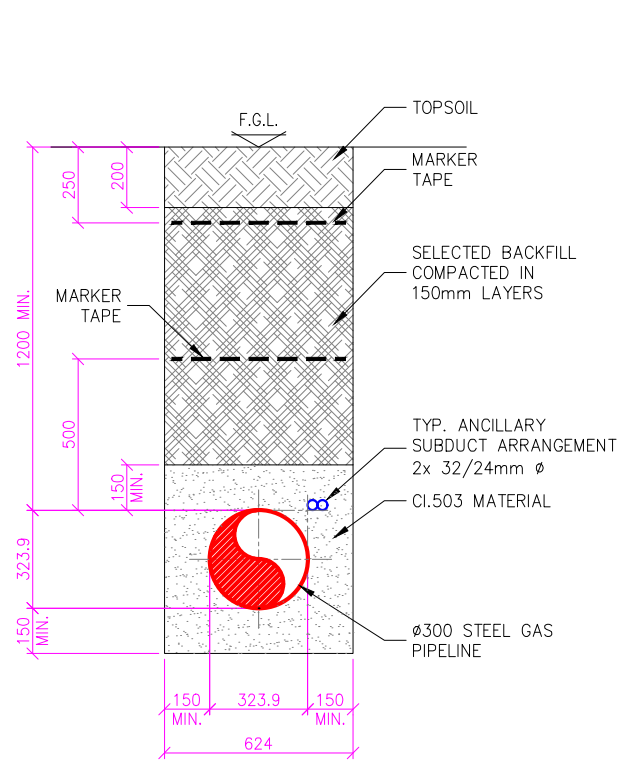
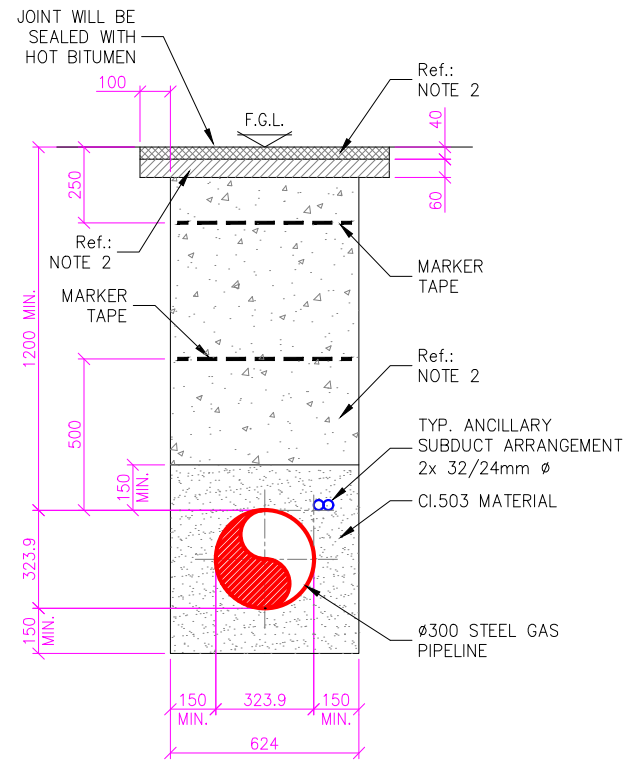


NOTES:

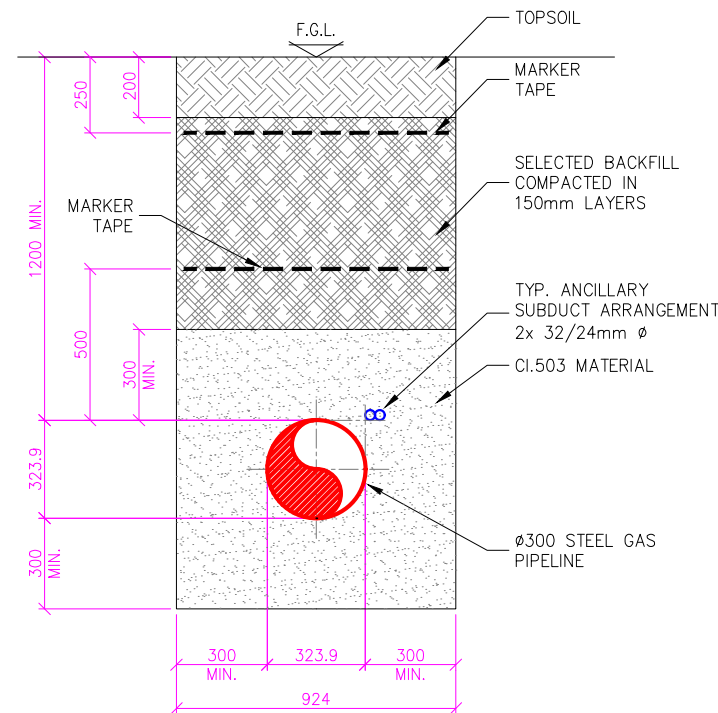
1. ALL DIMENSIONS ARE IN MILLIMETERS, USE FIGURED DIMENSIONS ONLY. DO NOT SCALE FROM DRAWING.
2. EXCAVATION, BACKFILL & REINSTATEMENT TO BE IN ACCORDANCE WITH IS 328:2021, GNI/AD/SP/007 AND GUIDELINES FOR MANAGING OPENINGS IN PUBLIC ROADS 2017 (THE PURPLE BOOK).
3. THE CLAUSES REFERRED TO ARE CONTAINED IN THE TII PUBLICATIONS – SPECIFICATIONS FOR ROAD WORKS SERIES.
4. ALL REINSTATEMENT TO BE AGREED WITH LANDOWNER'S REPRESENTATIVE PRIOR TO CARRYING OUT WORKS.
5. PIPELINE SURROUND MATERIAL (CL.503) TO BE AGREED WITH GNI SITE ENGINEER BASED ON EXAMINATION OF SAMPLE.
6. CONCRETE IMPACT PROTECTION SLAB TO BE INSTALLED AS PER BGE/ST/2021.



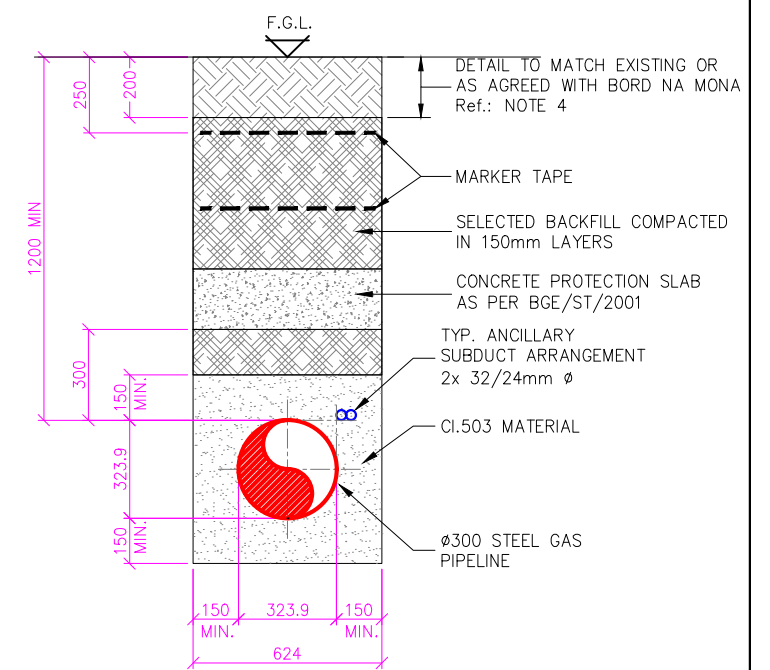
TYPICAL REINSTATEMENT
DETAIL FOR
Ø300 PIPELINE
(Not to Scale)



TYPICAL REINSTATEMENT
DETAIL FOR
Ø300 PIPELINE
(IN ROAD/FOOTPATH)
(Not to Scale)



TYPICAL REINSTATEMENT
DETAIL FOR
Ø300 PIPELINE
(ROCK EXCAVATION)
(Not to Scale)



TYPICAL REINSTATEMENT
DETAIL FOR
Ø300 PIPELINE
(WITHIN BORD NA MONA SITE)
(Not to Scale)

PLANNING ISSUE

0	PLANNING ISSUE	RMD	TM	JC									APPROVALS		PROJECT 47327508 - Gas to Bord na Mona, Edenderry		
		22/04/2026	22/04/2026	22/04/2026													
													A	DRAWING OFFICE	DRAWN BY R.McDONNELL		
												B	DESIGN ENGINEERING				
													C	STRATEGY/PLANNING	CHECKED T.MALONE		
												D	DESIGN MANAGEMENT				
													E	OPERATIONS	APPROVAL J.CONROY		
												F	CONSTRUCTION				
ISSUE	REVISION	REV. BY	A	B	C	D	E	F	G				G	AM/AO ADDITIONAL	DATE 22/04/2026		
CONSULTANT						P.O Box 51, Gasworks Road, Cork, Rep of Ireland T +353 21 4534000				Bridge Street Centre Portlaoise Co. Laois Ireland T:(00353)(0)57 866 5400 www.fingleton.ie		DRAWING NUMBER GNI143-GNI-PL-RD-0001		SCALE NTS @A3		SHEET 01 OF 01	