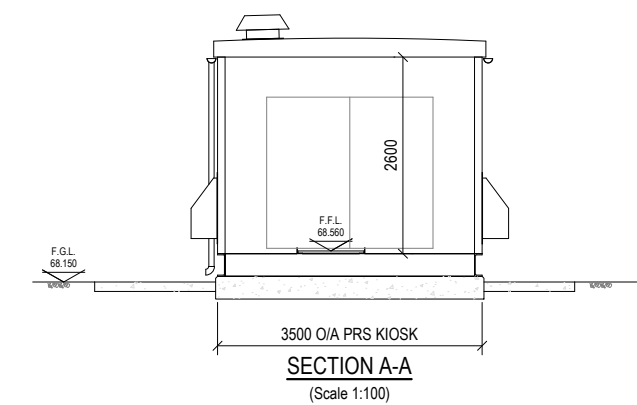
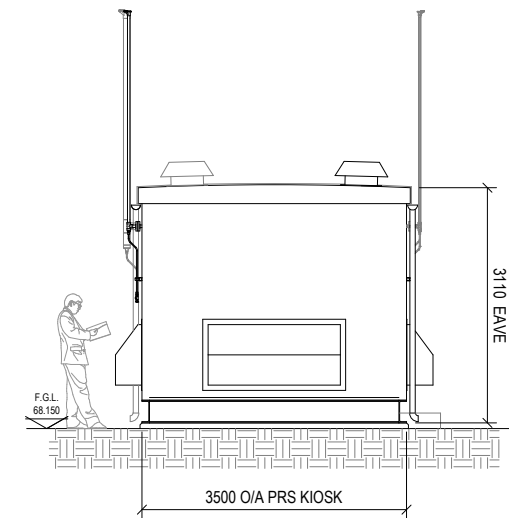


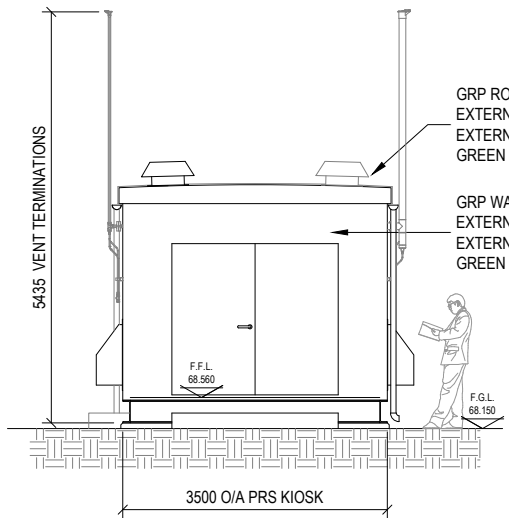
**PRESSURE REDUCTION KIOSK
FLOOR PLAN**
(Scale 1:100)



SECTION A-A
(Scale 1:100)



ELEVATION 2 - Facing East
(Scale 1:100)



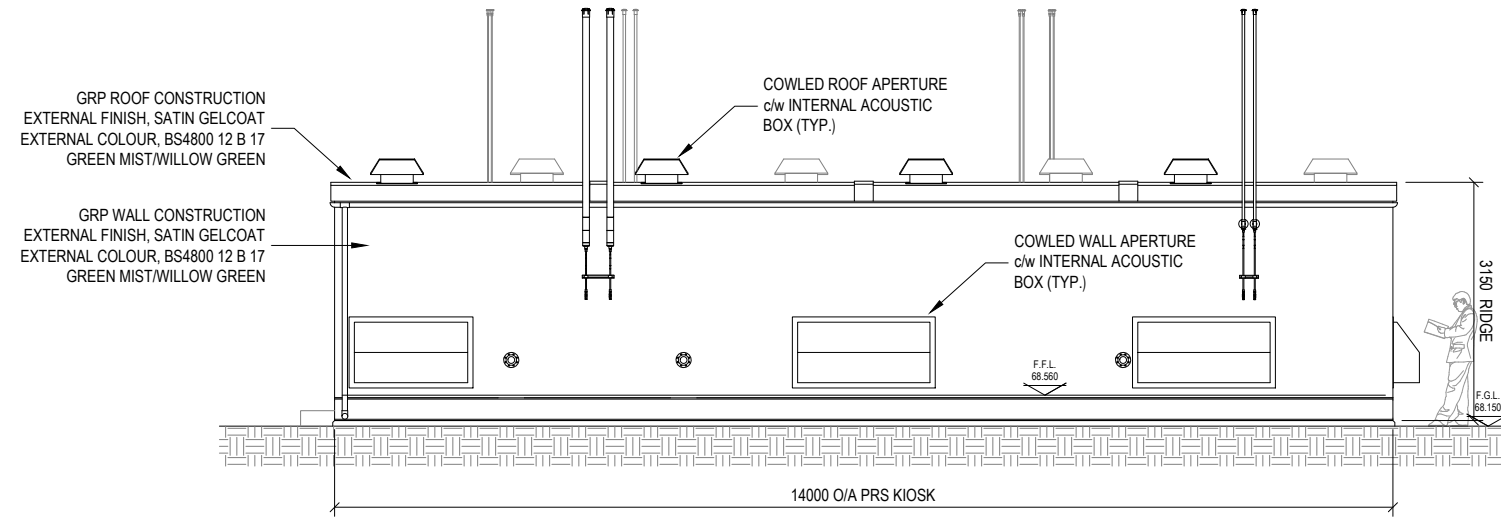
ELEVATION 4 - Facing West
(Scale 1:100)

NOTES:

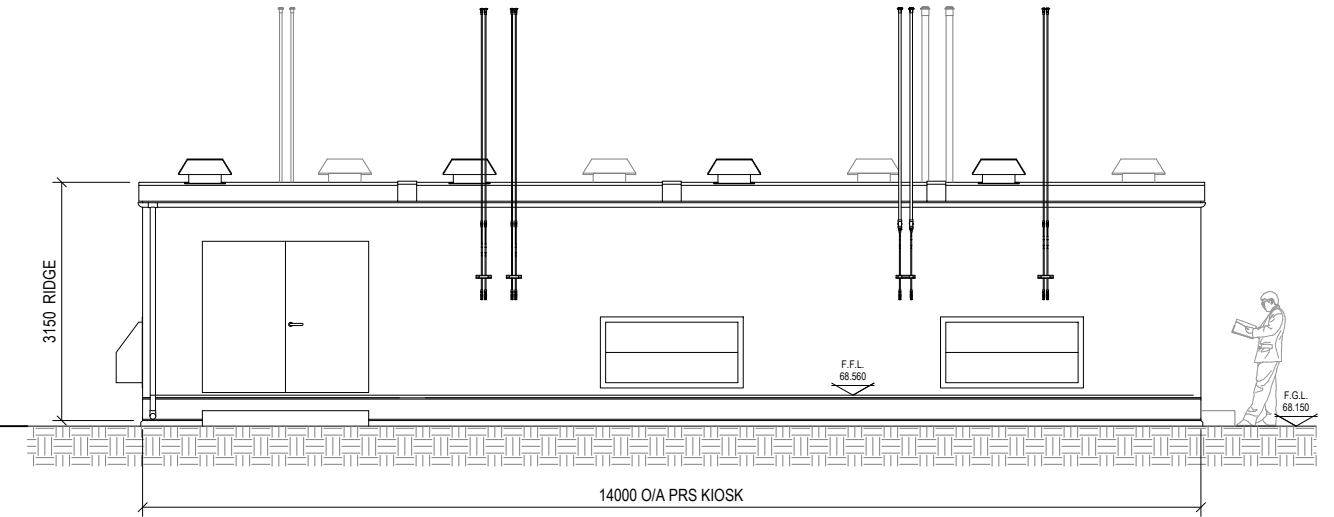
1. THIS DRAWING IS FOR PLANNING APPLICATION PURPOSES ONLY.
2. ALL DIMENSIONS ARE IN MILLIMETRES, UNLESS OTHERWISE STATED.
3. ALL ELEVATIONS ARE IN METRES, AND REFER TO MALIN HEAD DATUM.
4. INTERNAL PLANT LAYOUT IS SHOWN FOR INFORMATION PURPOSES ONLY AND SUBJECT TO DETAILED DESIGN.

GRP ROOF CONSTRUCTION
EXTERNAL FINISH, SATIN GELCOAT
EXTERNAL COLOUR, BS4800 12 B 17
GREEN MIST/WILLOW GREEN

GRP WALL CONSTRUCTION
EXTERNAL FINISH, SATIN GELCOAT
EXTERNAL COLOUR, BS4800 12 B 17
GREEN MIST/WILLOW GREEN



ELEVATION 1 - Facing South
(Scale 1:100)



ELEVATION 3 - Facing North
(Scale 1:100)

PLANNING ISSUE

ISSUE	REVISION	REV. BY	A	B	C	D	E	F	G
0	PLANNING ISSUE								

TM	MAH	JC
22/04/2026	22/04/2026	22/04/2026

APPROVALS	
A	DRAWING OFFICE
B	DESIGN ENGINEERING
C	STRATEGY/PLANNING
D	DESIGN MANAGEMENT
E	OPERATIONS
F	CONSTRUCTION
G	AM/AO ADDITIONAL

PROJECT		47327508 - Gas to Bord na Mona, Edenderry	
TITLE		FLOOR PLAN, SECTION & ELEVATIONS OF PRS KIOSK	
		Ballykillen AGI	
DRAWING NUMBER	SCALE	SHEET	
14303-GNI-01-PL-PLN-0001	1:100	01	01
	@A3		

CONSULTANT

Fingleton White

Bridge Street Centre
Portlaoise
Co. Laois
Ireland
T: (00353)(0)57 866 5400
www.fingleton.ie

Gas Networks Ireland

P.O. Box 51,
Gasworks Road,
Cork,
Rep of Ireland
T +353 21 4534000